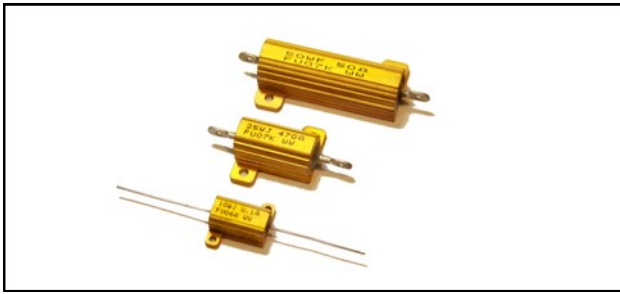


# ALUMINUM CASED POWER RESISTOR

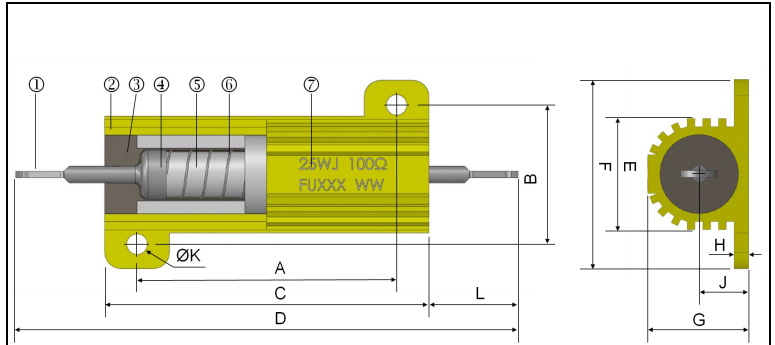
GR

黃金鋁殼電阻器

ALUMINUM CASED POWER RESISTOR (GR Type)



## 結構圖 Construction



外觀顏色 : Body Color      標示 : Marking  
 金黃色 : Gold                  文字 : Alphanumeric

## 特性 Feature

- ◎ 高穩定性強之設計和高脈衝 20KV
- ◎ High stability strong construction and anti-surge to 20KV.
- ◎ 可依客戶需求製作
- ◎ Can be produced according to customer's request.
- ◎ 產品符合歐盟 RoHS 要求
- ◎ Products meet EU-RoHS.
- ◎ 可提供低電感
- ◎ Low inductance is available.

1	端子線	Lead wire	5	瓷棒	Ceramic base
2	鋁殼	Aluminum case	6	繞線/皮膜	Wire wound / Film
3	矽水泥	Silicon cement			
4	鐵帽	Cap	7	標示	Marking

## 外形尺寸 Dimensions (mm)

Rated Power (W)	5	10	25	50	100	225~300
D±2	25.5	29	52	67	114	150
C±1	15.5	19	27	50	89	114
A±0.4	11.5	14.5	18	39	70	76
L±1	5	5	12.5	8.5	12.5	18
F±1	16.5	20.5	27.3	29	71.5	76
B±0.4	12.5	14	19.5	21.6	57	64
E±1	8.5	10	13.4	15.3	46	54
N±0.1	2.2	2.2	2.2	2.2	---	---
K±0.3	2.5	2.4	3.2	3.2	4.8	4.8
G±1	8	10	15.5	15.5	44.5	55.6
J±1	2.2	5	6.6	7.6	21	24.4
H±0.2	1.5	2	2.2	2.2	4.7	6.4

## 料號編碼 Type composition 例 Example

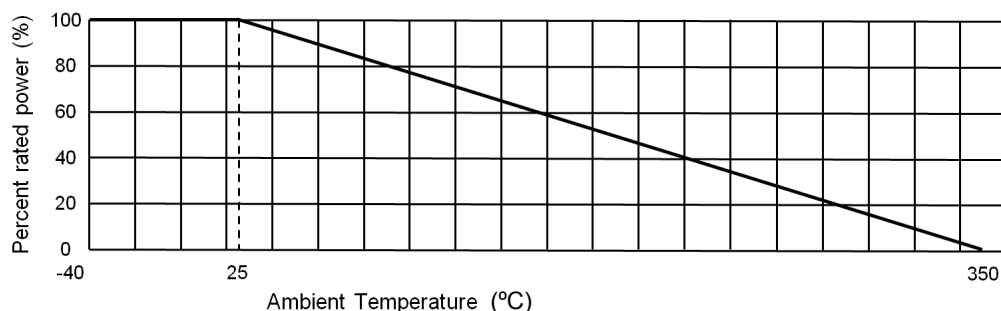
RG	W	05	J	10R0	P000	GR
型名 Type	品名 Size	額定功率 Rated Power	誤差值 Tolerance	電阻值(Ω) Resistance	二次加工 Forming	端子線 Lead Wire
	Wire	05:5W	F±1%	R100=0.1	P000=	Aluminum
		A0:10W	G±2%	1R00=1	Straight	Cased
		E0:50W	J±5%	10R0=10	P00T=	
		P0:300W	K±10%	1000=100	Terminal	
				1001=1K	NW00=	
				1002=10K	No sense	
				1005=10M	winding	
				1007=1000M	NW0T=	
					Terminal	

## 額定 Ratings

型名 Type	Rated Power (W)	材質 Material	阻值範圍 Resistance Range(Ω)		誤差值 Tolerance	溫度係數 T.C.R.	最高使用電壓 Max. Working Voltage	耐電壓 Dielectric Withstanding Voltage
			Standard	Non-inductive				
GR-5	4.5	Film	1.5K~1G	200~10M	F±1% G±2% J±5% K±10%	±350ppm/°C	1500V	1000V
	5	Wire Wound	0.1Ω~1.5K	0.02~200				
GR-10	8.5	Film	2K~1G	470~10M				
	10	Wire Wound	0.1~2K	0.02~470				
GR-25	20	Film	4.7K~1G	1.2K~10M				
	25	Wire Wound	0.5~4.7K	0.1~1.2K				
GR-50	45	Film	10K~2G	1.5K~1M				
	50	Wire Wound	1~40K	0.2~1.5K				
GR-100	100	Wire Wound	3~25K	0.5~4K				
GR-225	225~300	Wire Wound	3~25K	0.5~4K				
GR-300								

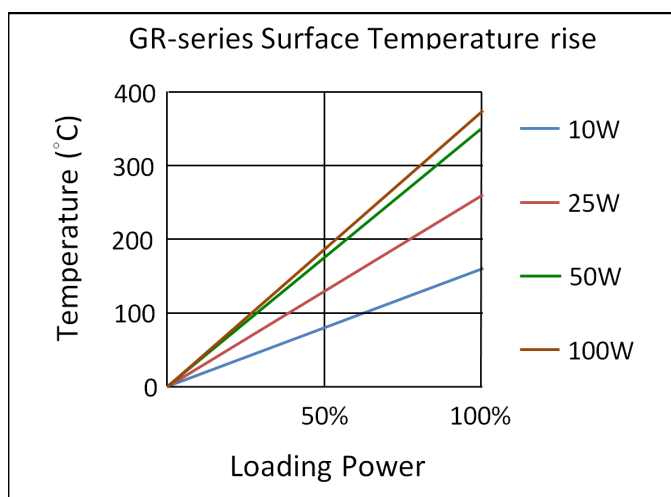
■ 額定溫度下降曲線圖 Derating curve

例 Example



■ 負荷電力對表面溫度上升圖

SURFACE TEMPERATURE RISE Vs. LOADED POWER



■ 性能 Performance

試驗項目 Test Items	規格值 Performance Requirements	試驗方法 Test Methods
電阻值 Resistance	規定的誤差值內 Within specified tolerance	測量點從端蓋 10mm Measuring points are 10mm from the end cap
溫度係數 T.C.R.	規定值內 Within specified T.C.R.	室溫+100°C Room temperature +100°C
短時間過負荷 Short time overload	±(1%+0.05Ω)	6.25 倍額定功率，5 秒 6.25 times the rated power for 5 seconds
負荷壽命 Load life	±(5%+0.1Ω)	Rated voltage at 70°C for 1,000 hours 1.5hr ON / 0.5hr OFF Cycles
耐濕負荷壽命 Load life in humidity	±(5%+0.1Ω)	10% rate power load 40°C, 95% RH for 1,000 hours; 1.5h ON / 0.5h OFF cycle
耐濕性 Moisture resistance	±(1%+0.05Ω)	40°C, 95% RH, 240 小時 40°C, 95% RH for 240 hours
溫度循環 Temperature cycle	±(1%+0.05Ω)	5 cycles for -25°C (30min) : room temp. (30min) ~ +85°C (30min) room temp. (30min)
焊錫耐熱 Resistance to soldering heat	±(1%+0.05Ω)	260°C ± 5°C for 10 seconds (焊錫槽) 350°C ± 10°C for 3.5 seconds (手焊錫)
絕緣電阻 Insulation resistance	>1,000MΩ	500V 絕緣測試 1 分鐘 500V insulation test 1min.